

**Product description**

The design of the BSB mount means that the rubber works in both shear and compression, which offers good stability as well as good vibration damping. The BSB mount is slightly shorter and is thus slightly more rigid than type BRB, and therefore isolates vibrations at slightly higher frequencies.

This range of mounts is used when the main priority is the installation height.

**Technical properties**

- Has been given the certificate: "Det Norske Veritas' Rules for Classification of Ships/High Speed and Light Craft"
- The steel upper part protects the rubber from dripping liquids, as well as UV light.
- The surface of the base plate is Zi/Ni 12 % and the clock is electro-galvanised
- BSB is a captive mount whose design prevents the separation of the two metal parts, even in case of shock loads.
- The base plate is marked with the mount type and hardness, making it easy to identify the product even after years of use.

**Application**

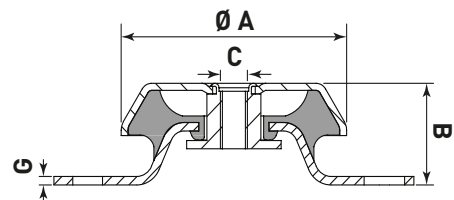
The product is tailored to mobile and marine systems where high damping and stability are required. The BSB mount is also suitable for the isolation of axial and radial shock. The mount is also suitable for installations which are exposed to high wind loads, where it is very important that the mount is captive. The mount can also be used for the passive isolation of equipment which is near, or on, machines that vibrate a lot. This might be control or fuse boxes, for example, which must be vibration dampened and, at the same time, secured against falling down.

**Application**

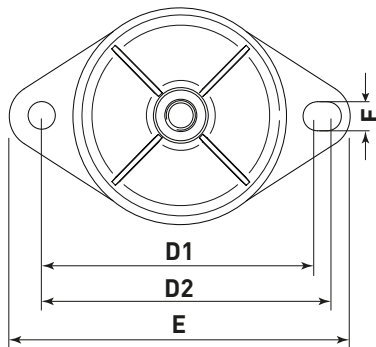
Pumps, compressors, marine systems, mobile units and fans.



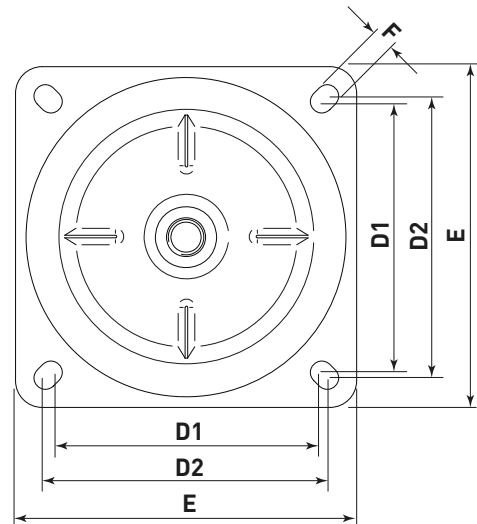
Type	40 Sh(A) Max. load [kg]	50 Sh(A) Max. load [kg]	60 Sh(A) Max. load [kg]	70 Sh(A) Max. load [kg]
BSB060	70	130	170	245
BSB080	110	161	231	300
BSB095	180	230	270	330
BSB110	250	350	450	550
BSB125	450	550	690	900
BSB150	750	950	1300	1650
BSB160	900	1200	1600	2300
BSB180	1300	1750	2100	2900
BSB220	2500	3200	4000	5000

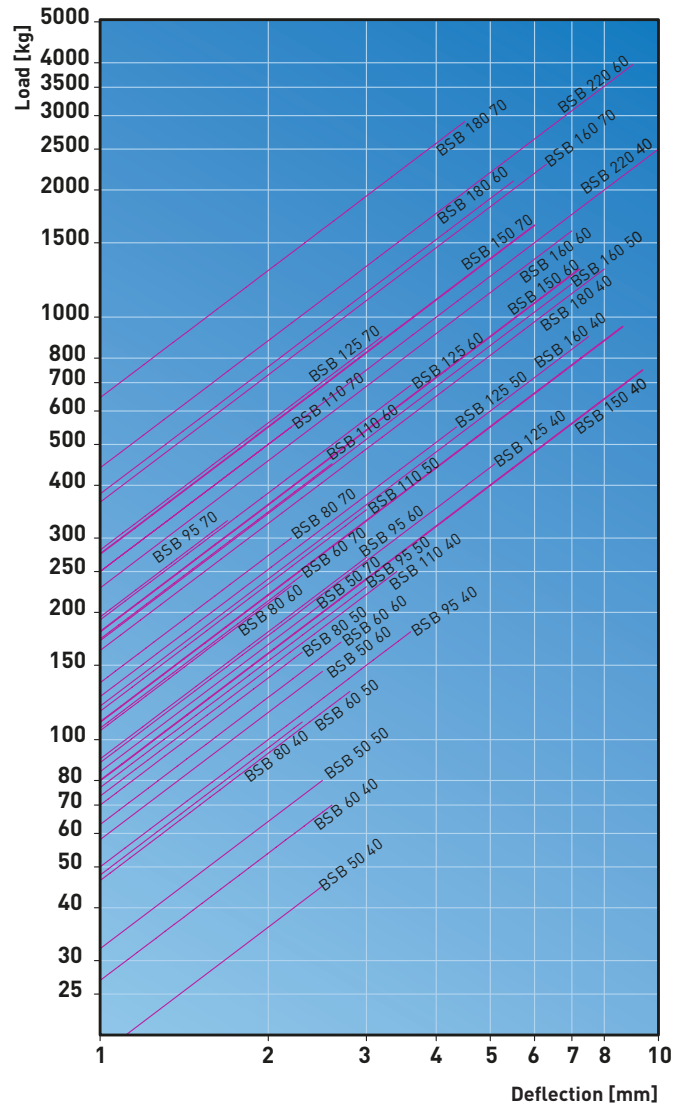
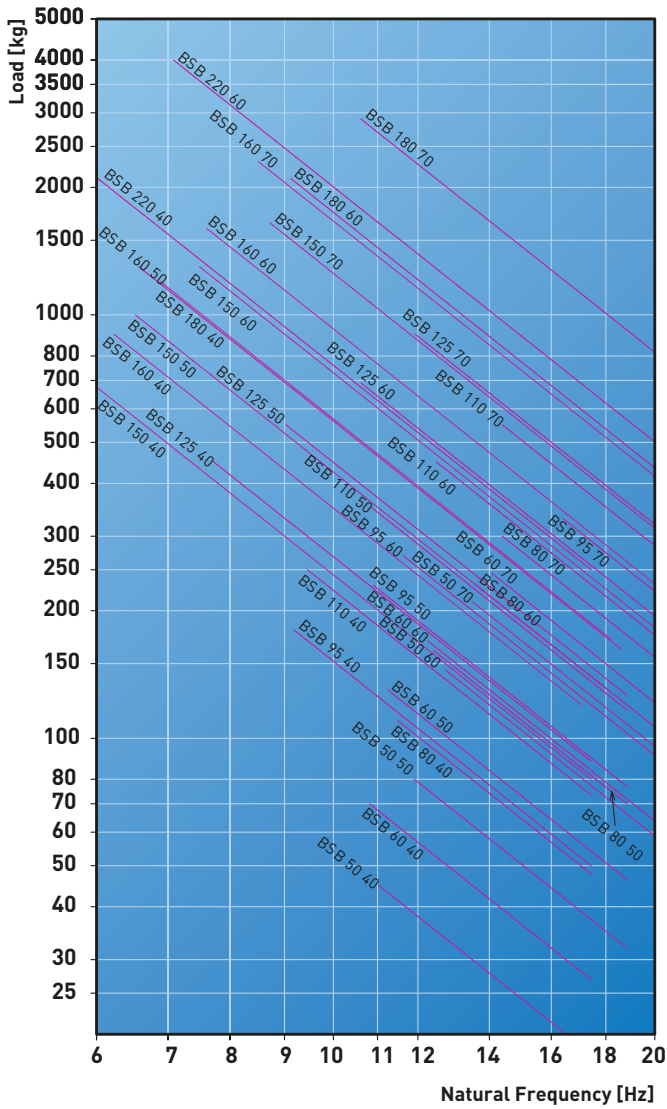


- BSB060
- BSB080
- BSB095
- BSB110
- BSB125
- BSB150



- BSB150
- BSB160
- BSB180
- BSB220





Type	A Ø [mm]	B [mm]	C	D1 [mm]	D2 [mm]	E [mm]	F [mm]	G [mm]	Dead weight [g]
BSB060	64	34	M10	76.5	90.5	110	9	2.5	235
BSB080	78	31	M10/M12	108.2	111.2	130	9.2	3	355
BSB095	92	34	M10/M12	122	126.4	150	10	3	488
BSB110	106	37	M16/M12	137	150	175	13	3	785
BSB125	123	43	M16	154	162	190	14	4	1109
BSB150	156	49	M16	176	188	218	14.5	4	1818
BSB150 RECT	156	49	M16	125	132	164	14.5	4	2060
BSB160	156	57	M20	140	140	170	14.5	4	2200
BSB180	180	67	M20	149	163	192	14.5	4	3800
BSB220	230	105	M24	180	180	220	19	6	6716