

Product description

CHSR is, among other things, designed for acoustic ceilings which are to be elastically suspended and for the vibration isolation of pipes and machines at speeds or frequencies of more than 400 rpm. Loads from 15–125 kg.

Components

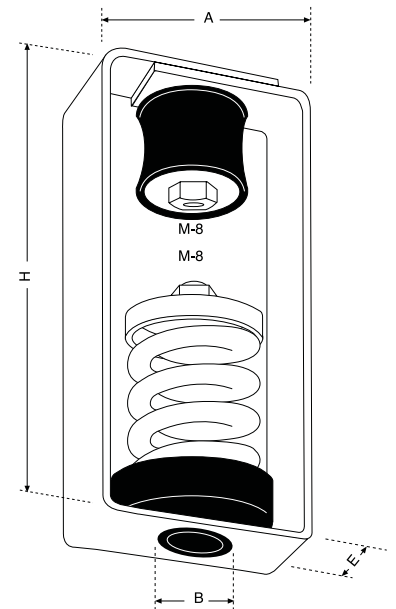
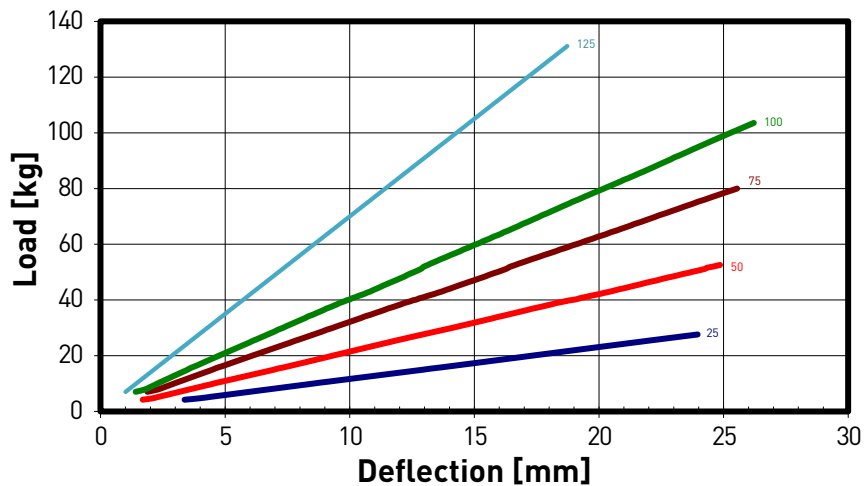
The ceiling bracket consists of a spring inserted into a bent steel bracket. The spring rests in a rubber cup which eliminates the transfer of high frequencies. All metal surfaces are galvanised.

Flexible properties

The vertical natural frequency of CHSR is down to 3.50 Hz.

Application

When mounting, the rubber cup and spring are removed so that the bent steel brackets can be mounted on the ceiling.



Type	Max. load [kg]	Deflection [mm]	Spring colour
CHSR-025	25	24	Blue
CHSR-050	50	24	Red
CHSR-075	75	24	Brown
CHSR-100	100	25	Green
CHSR-125	125	18	Light blue
CHSR-335	335	50	Grey
CHSR-446	446	50	Green