

Product description

Two adjustable electro-galvanised curved metal brackets with a vibration mount in-between. The brackets make it possible to adjust the vibration mount's orientation so that maximum vibration isolation is achieved.

- Maximum axial load: 15–40 kg
- Maximum axial deformation: 3.0 mm
- Maximum radial load: 4–8 kg
- Maximum radial deformation: 5.4 mm

Application

Preferably for light equipment, such as suspended appliance cabinets, electronic control units, alarm systems, automation equipment, computers, etc., which are sensitive to shock and vibration.

Used for, among other things, protecting components in ship engine rooms and isolating against vibrations caused by fans, etc.

An installation with Rahbek 5 lets you set the natural frequency in the horizontal, vertical and lateral directions, giving you the possibility to optimise the vibration isolation in all of these directions.

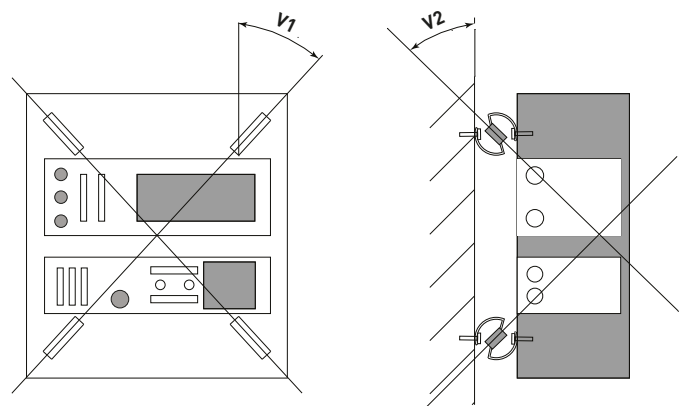
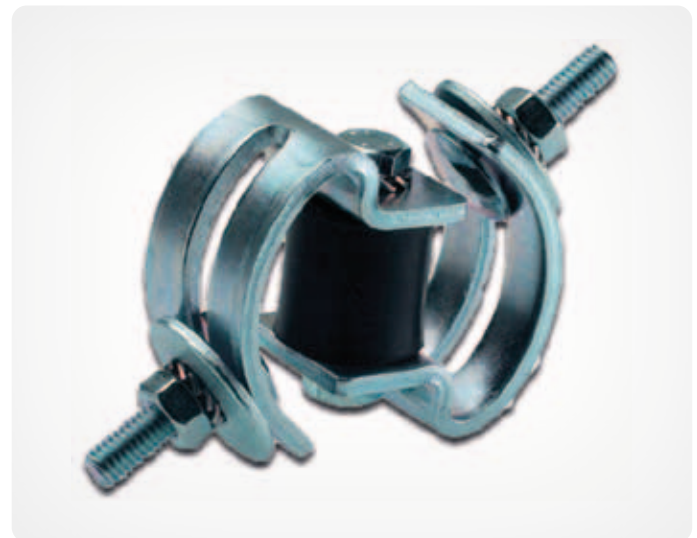
Assembly

The element is secured between the wall and the apparatus as shown in the figure to the right. The vibration mount's axis should pass through the apparatus' centre of gravity.

The installation's hardness, and thus natural frequency, can be adjusted by adjusting V1 and V2.

V1 and V2 should respectively be in the range of 0–45° and 22–45°.

The radial stiffness of the mount is 1/6 of the axial, and small radial loads are permissible.



Type	D1 [mm]	H [mm]	P Max. [kg]	B [mm]
4	20	15	15	25
5	20	20	20	25
6	25	20	25	25
6a	30	25	32	25
7a	30	30	40	25

