

## Product description

In conical mounts, the rubber works in shear and compression.

The mounts consist of two parallel conical metal parts. There are two washers, one of which is the buffer and the other of which is for centring.

## Technical properties

Conical mounts are secure and stable elements, as equipment which is mounted on them cannot fall over. Moreover, they are flexible enough to dampen the transmission of vibrations through the structure.

The mounts come with stop and centring washers. This means that a deflection exceeding the mount's limits is impossible, even under extreme loads.

The washer protects the rubber against ozone and aging, as well as against any blows from metal or dripping oil.

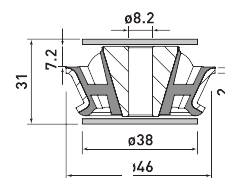
The characteristic deflection curves on the mounts which are mounted with centring washers are quite linear and increase progressively the heavier the load is. Therefore, they can dampen an overload of up to three times the maximum recommended load.

## Application

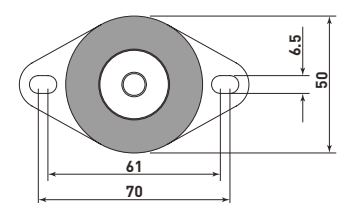
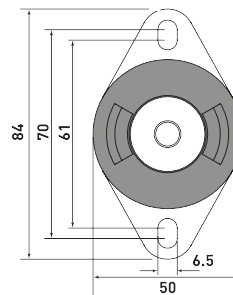
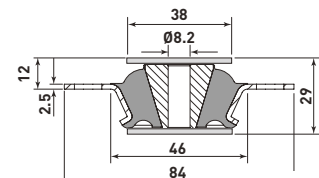
Conical mounts are specially designed for use in mobile plant and machines such as drivers' cabs, engines, suspension arms, etc.



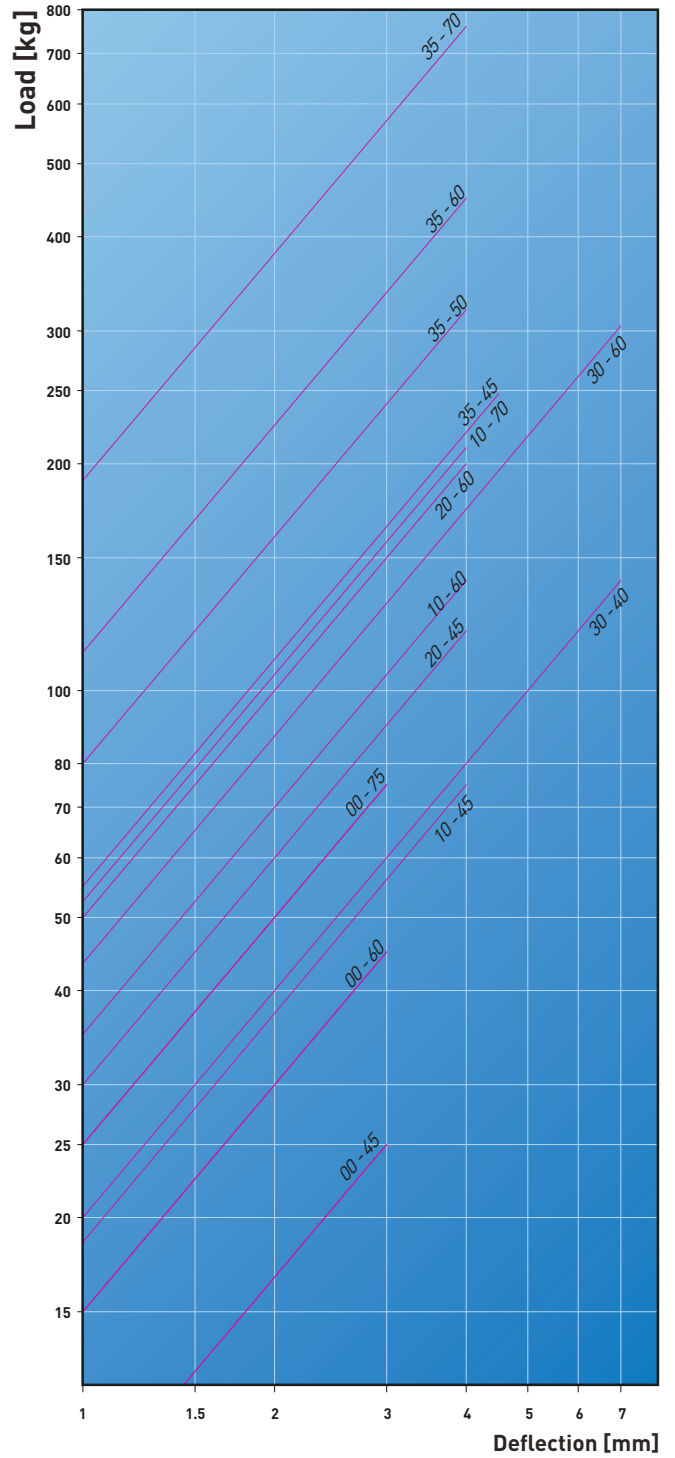
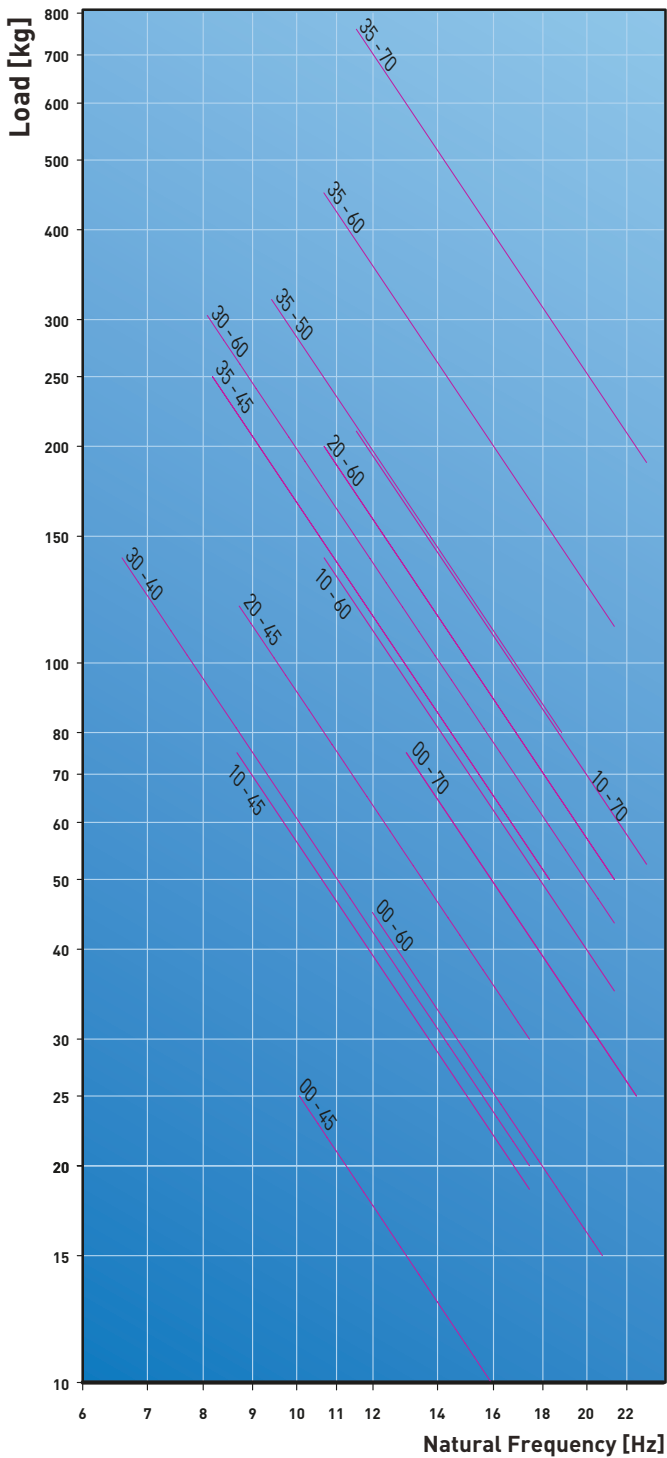
Type 00 Cone



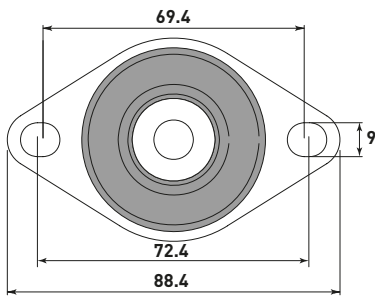
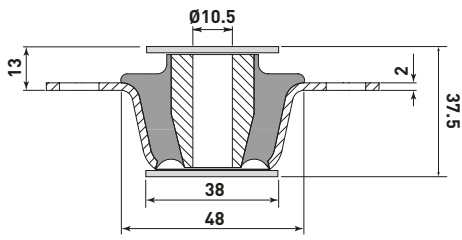
Type 01 Cone



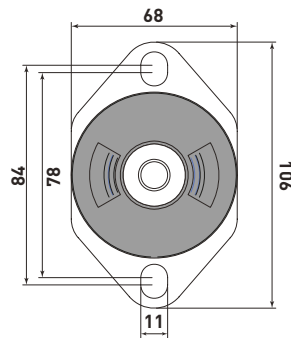
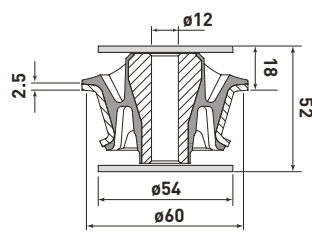
Type	Load [kg] 40 Sh(A)	Load [kg] 45 Sh(A)	Load [kg] 50 Sh(A)	Load [kg] 60 Sh(A)	Load [kg] 70 Sh(A)	Weight [g]
Cone 00	-	25	-	50	75	126
Cone 01	-	40	-	70	105	128
Cone 02	-	50	-	90	-	132
Cone 10	-	75	-	140	210	406
Cone 11	-	100	-	180	270	409
Cone 20	-	120	-	200	-	554
Cone 21	-	180	-	300	-	560
Cone 30	140	-	300	-	-	1167
Cone 31	-	-	310	500	960	1188
Cone 35	-	200	320	450	760	1328
Cone 36	-	400	-	700	1100	1410
Cone 40	-	420	-	690	1080	1216
Cone 60	-	900	-	1250	1560	1821
Cone 70	-	1000	-	2100	2500	3450



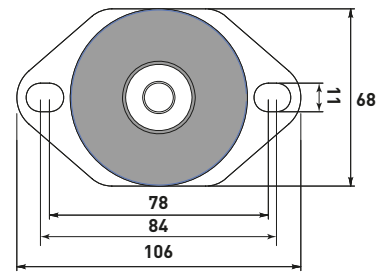
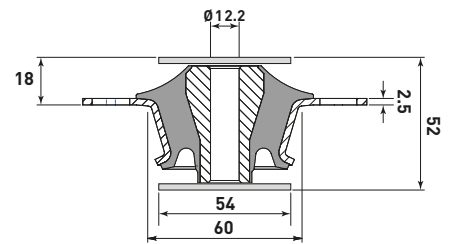
Type 02 Cone



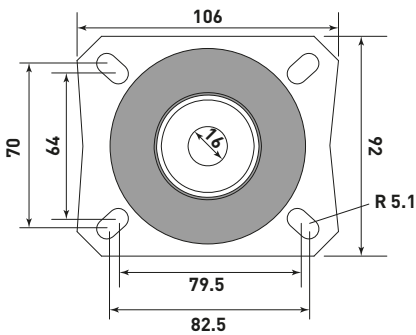
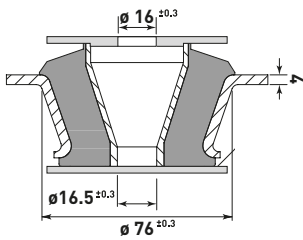
Type 10 Cone



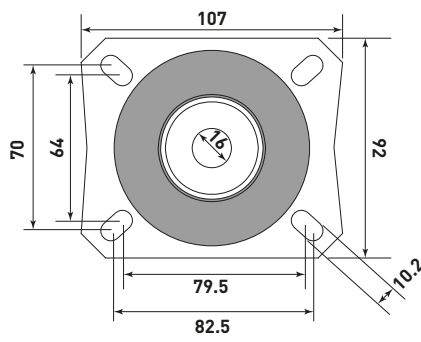
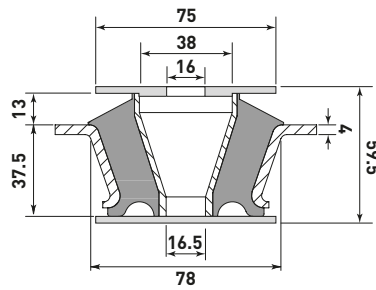
Type 11 Cone



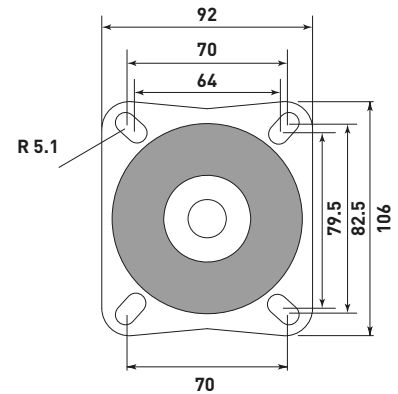
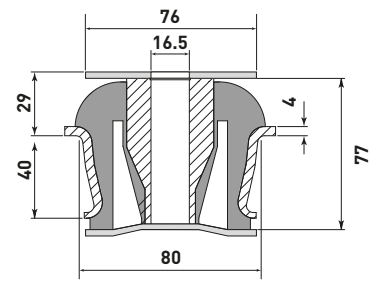
Type 20 Cone

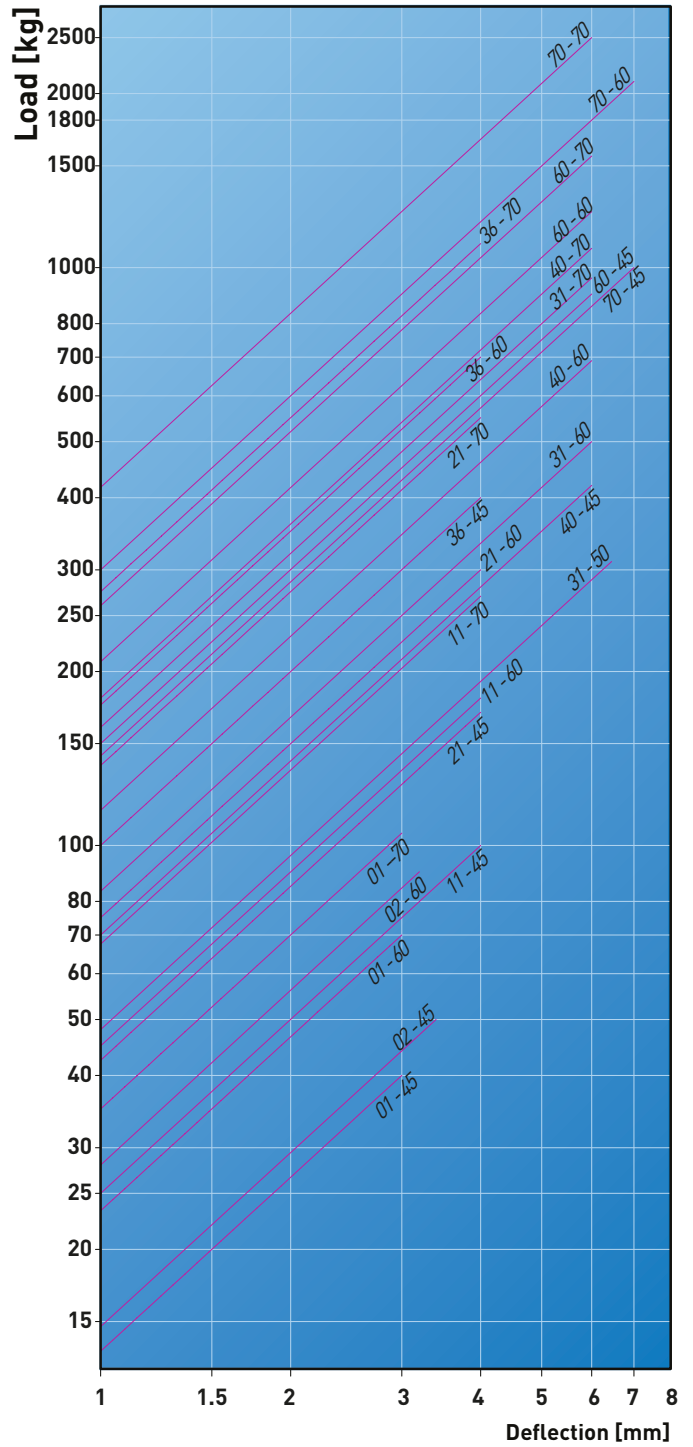
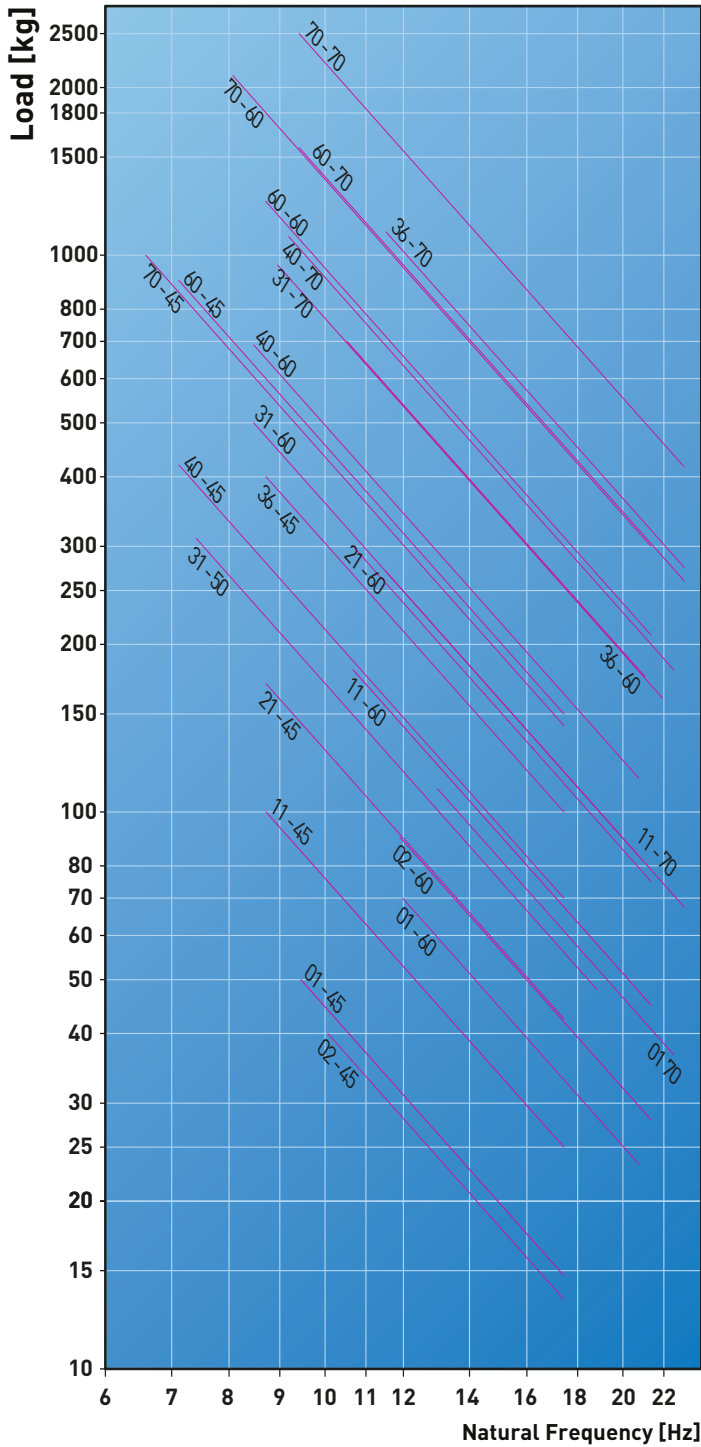


Type 21 Cone

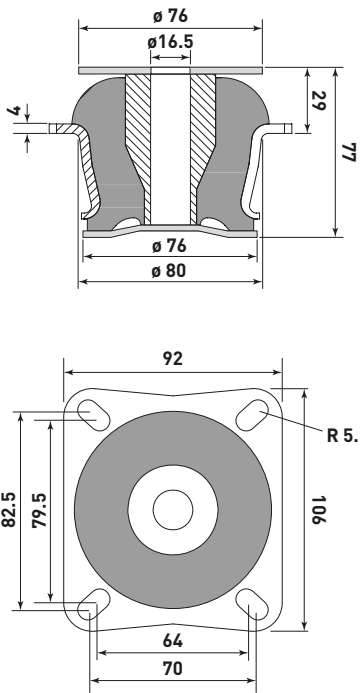


Type 30 Cone

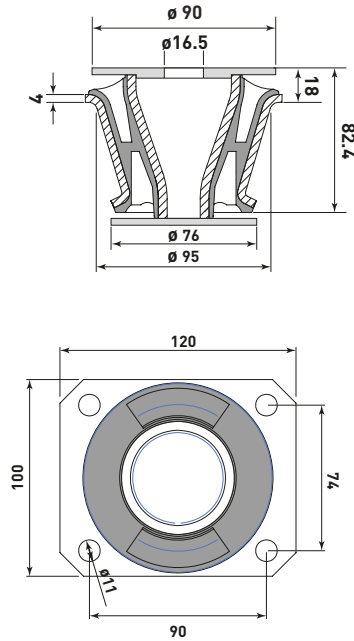




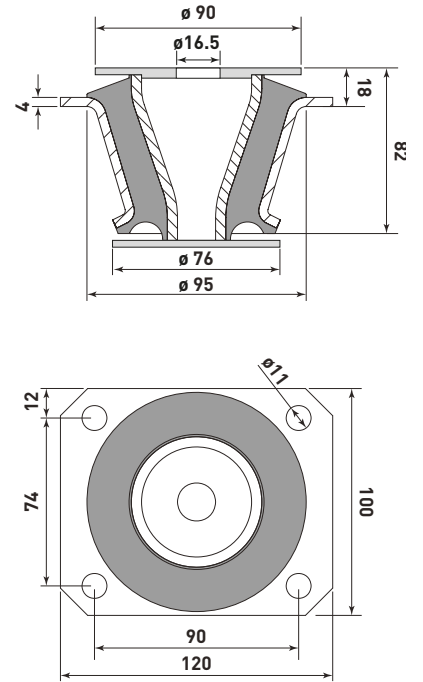
Type 31 Cone



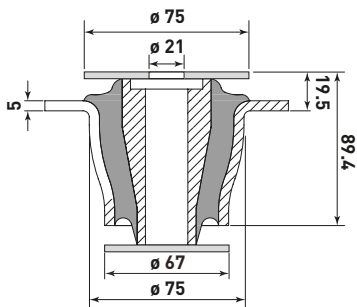
Type 35 Cone



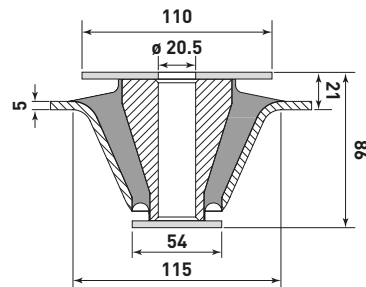
Type 36 Cone



Type 40 Cone



Type 60 Cone



Type 70 Cone

