

**Product description**

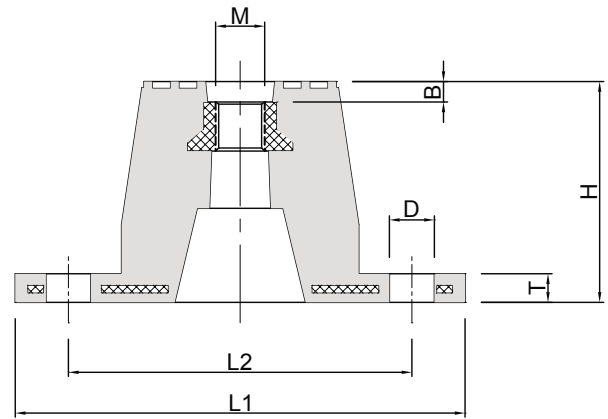
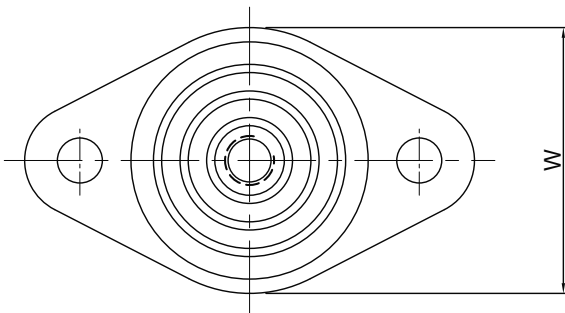
The IAC SD4343 mount is moulded from high-quality natural rubber in three different hardnesses. The mount has an internal thread centred at the top for assembling equipment. The base is reinforced with a steel plate.

If the mount ever needs replacing, the mount's unique colour code ensures that exactly the same type is ordered. The IAC name is also embedded in the rubber of the base plate of each mount.

**Application**

Due to its geometry, IAC SD4343 provides substantial deflection and good vibration isolation, and is also used for many applications such as:

- Fans
- Refrigeration equipment
- Pumps
- Compressors
- Floating floors
- For the isolation of studios and anechoic chambers



Type	Colour	Hardness Sh(A)	Load [kg]	Deflection [mm]	Dimensions [mm]							
					L1	W	H	L2	T	D	B	M
IAC SD 4343H	White	40	80	10	110	65	54	84	7	11	5	M12
IAC SD 4343R	Red	50	115	10	110	65	54	84	7	11	5	M12
IAC SD 4343S	Black	60	165	10	110	65	54	84	7	11	5	M12

